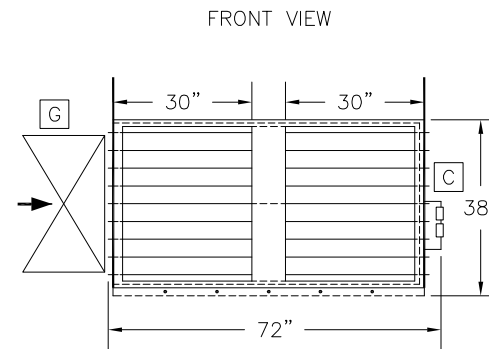


- A) (6) 1/2" MOUNTING HOLES ON CENTER
 B) SERVICE SWITCH ELECTRICAL CONNECTION POINT
 C) 14"x16" CONTROL PANEL
 D) 3/8" ALL-THREAD HANGING ROD
 E) 5" FLUE VENT PIPE
 F) 3/4" INLET GAS CONNECTION
 G) SUPPLY DUCT
- NOTE-UNIT HEATER FLUE AND GAS CONNECTION WILL VARY WITH UNIT HEATER SIZE AND MFG (SEE ATTACHED SUBMITTAL)
 - 1,400 LBS



QTY	UNIT MODEL	1/FAN	HP	AMPS	CFM	SONES	TRANS	VOLTS	F/DISC
1	ER-230-500	115/1	3/4	24	18,000	12.6			

QTY	U/MODEL	VOLTS	AMPS	BTU/INPUT	BTU/OUTPUT	FLUE	GAS/CON	G/PRE
2	PDP 250	115/1	8	250,000	200,000	5"	3/4"	6"