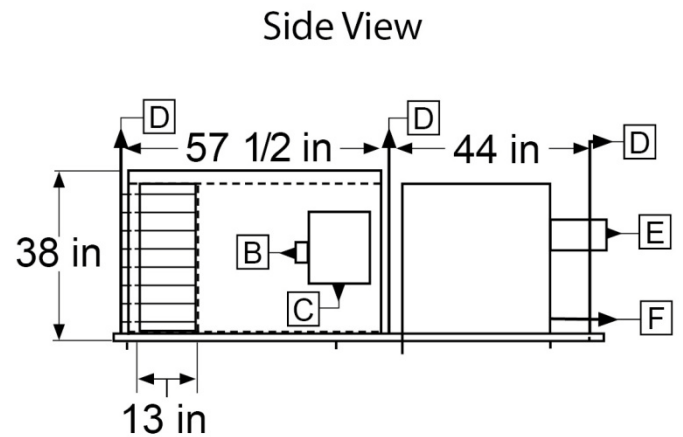
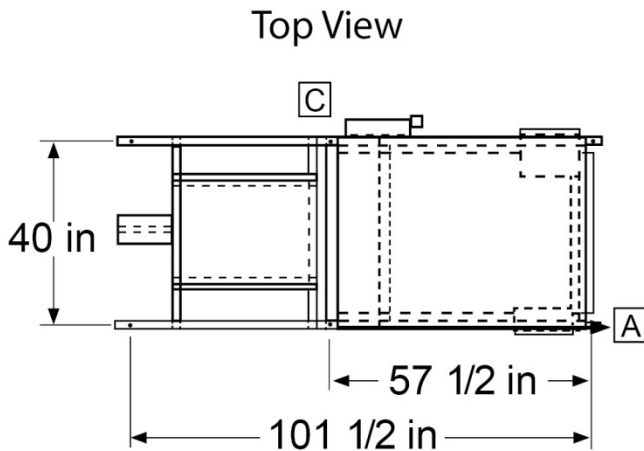




4790 West 73<sup>rd</sup> Street | Indianapolis, Indiana 46268  
 Phone: 317-290-8500 | Fax: 317-290-1900  
 aes2@sbcglobal.net | www.aesrack.com

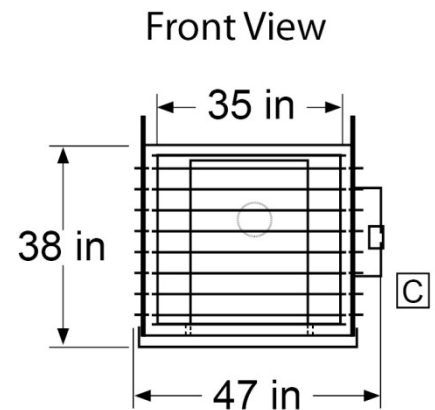
PROJECT:	LOCATION:
ARCHITECT:	ENGINEER:
CONTRACTOR:	DATE:

**93% EFFICIENT  
 THE FIRST TRUE "GREEN HEATING SYSTEM"**



- A) (6) 1/2" MOUNTING HOLES ON CENTER
- B) SERVICE SWITCH ELECTRICAL CONNECTION POINT
- C) 14" x 16" CONTROL PANEL
- D) 3/8" ALL-THREAD HANGING ROD
- E) FLUE EXHAUST
- F) 3/4" INLET GAS CONNECTION

- NOTE – UNIT HEATER FLUE AND GAS CONNECTION WILL VARY WITH UNIT HEATER SIZE AND MFG ( See attached submittal)
- 650 lbs
- HORIZONTAL OR VERTICAL CONCENTRIC VENT KITS
  - 6" INLET COMBUSTION AIR
  - 4" FLUE VENT
  - 1/2" CONDENSATE DRAIN ON BACK OF HEATER



QTY	UNIT MODEL	1/ FAN	HP	AMPS	CFM	SONES	TRANS	VOLTS	F/DISC
1	ER-130-210	115 / 1	1 / 2	12	9,000	12.7			

QTY	U/MODEL	VOLTS	AMPS	BTU/INPUT	BTU/OUTPUT	FLUE	GAS/CON	G/PRE
1	PTC 210	115 / 1	8	210,000	195,300	4"	3/4"	6"